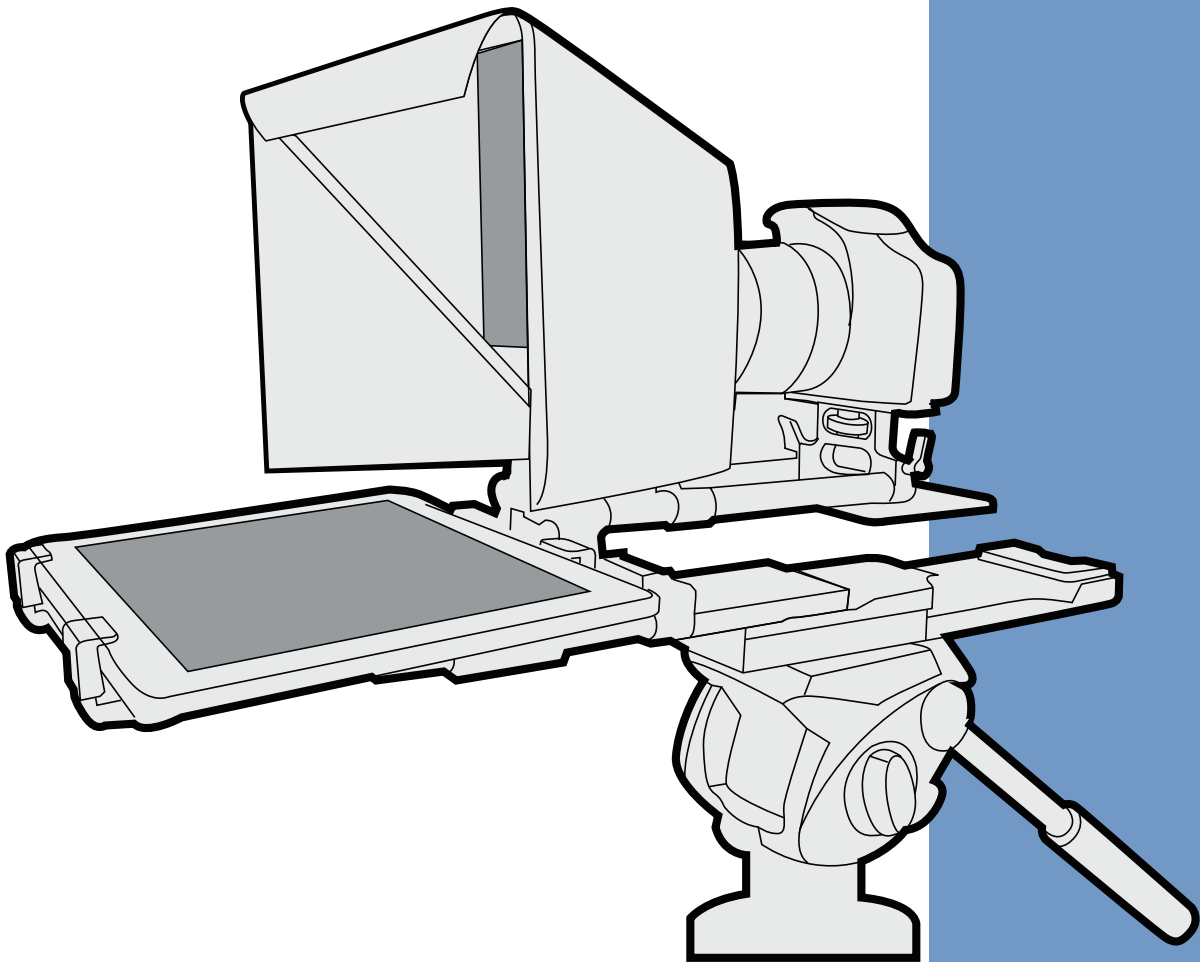


datavideo



**DSLR PROMPTER
TP-500
Instruction manual**

www.datavideo.com

Contents

FCC COMPLIANCE STATEMENT	2
WARNINGS AND PRECAUTIONS.....	2
GLASS – HANDLE WITH CARE	2
WARRANTY	3
STANDARD WARRANTY	3
REGISTER FOR 3 YEAR WARRANTY	3
DISPOSAL	3
PACKING LIST	4
PRODUCT OVERVIEW	5
FEATURES	5
ASSEMBLY – TP-500.....	6
CAMERA EXPOSURE AND THE 60/40 GLASS	10
ADJUSTABLE CAMERA PLATFORM	11
CLEANING THE 60/40 GLASS	12
FREE APP DOWNLOAD FROM THE APP STORE™	13
FREE ANDROID APP DOWNLOAD FROM GOOGLE PLAY™	13
OPTIONAL REMOTE CONTROL MANUAL	13
OPTIONAL BLUETOOTH TELEPROMPTER REMOTE CONTROL	14
REMOTE STARTS IN WIRED MODE	14
BLUETOOTH MODE – PAIRING TO YOUR TABLET DEVICE	14
<i>RESET – Return the Remote to Wired Mode.....</i>	15
CONTROL BUTTONS	16
REMOTE ACCESSORIES.....	16
<i>Lanyard Necklace.....</i>	16
<i>CR2032 Battery.....</i>	16
OPTIONAL HC-500 HARD CASE.....	18
HC-500 FEATURES	18
HC-500 SPECIFICATIONS	18
SPECIFICATIONS.....	19
NOTE	20
SERVICE AND SUPPORT	23

Disclaimer of Product and Services

The information offered in this instruction manual is intended as a guide only. At all times, Datavideo Technologies will try to give correct, complete and suitable information. However, Datavideo Technologies cannot exclude that some information in this manual, from time to time, may not be correct or may be incomplete. This manual may contain typing errors, omissions or incorrect information. Datavideo Technologies always recommend that you double check the information in this document for accuracy before making any purchase decision or using the product. Datavideo Technologies is not responsible for any omissions or errors, or for any subsequent loss or damage caused by using the information contained within this manual. Further advice on the content of this manual or on the product can be obtained by contacting your local Datavideo Office or dealer.

FCC Compliance Statement

This device complies with part 15 of the FCC rules. Operation is subject to the following two conditions:

1. This device may not cause harmful interference, and
2. This device must accept any interference received, including interference that may cause undesired operation.

Warnings and Precautions



1. Read all of these warnings and save them for later reference.
2. Follow all warnings and instructions marked on this unit.
3. Unplug this unit from the wall outlet before cleaning. Do not use liquid or aerosol cleaners. Use a damp cloth for cleaning.
4. Do not use this unit in or near water.
5. Do not place this unit on an unstable cart, stand, or table. The unit may fall, causing serious damage.
6. Slots and openings on the cabinet top, back, and bottom are provided for ventilation. To ensure safe and reliable operation of this unit, and to protect it from overheating, do not block or cover these openings. Do not place this unit on a bed, sofa, rug, or similar surface, as the ventilation openings on the bottom of the cabinet will be blocked. This unit should never be placed near or over a heat register or radiator. This unit should not be placed in a built-in installation unless proper ventilation is provided.
7. This product should only be operated from the type of power source indicated on the marking label of the AC adapter. If you are not sure of the type of power available, consult your Datavideo dealer or your local power company.
8. Do not allow anything to rest on the power cord. Do not locate this unit where the power cord will be walked on, rolled over, or otherwise stressed.
9. If an extension cord must be used with this unit, make sure that the total of the ampere ratings on the products plugged into the extension cord do not exceed the extension cord rating.
10. Make sure that the total amperes of all the units that are plugged into a single wall outlet do not exceed 15 amperes.
11. Never push objects of any kind into this unit through the cabinet ventilation slots, as they may touch dangerous voltage points or short out parts that could result in risk of fire or electric shock. Never spill liquid of any kind onto or into this unit.
12. Except as specifically explained elsewhere in this manual, do not attempt to service this product yourself. Opening or removing covers that are marked "Do Not Remove" may expose you to dangerous voltage points or other risks, and will void your warranty. Refer all service issues to qualified service personnel.
13. Unplug this product from the wall outlet and refer to qualified service personnel under the following conditions:
 - a. When the power cord is damaged or frayed;
 - b. When liquid has spilled into the unit;
 - c. When the product has been exposed to rain or water;
 - d. When the product does not operate normally under normal operating conditions. Adjust only those controls that are covered by the operating instructions in this manual; improper adjustment of other controls may result in damage to the unit and may often require extensive work by a qualified technician to restore the unit to normal operation;
 - e. When the product has been dropped or the cabinet has been damaged;
 - f. When the product exhibits a distinct change in performance, indicating a need for service.

GLASS – Handle with care



This product contains a sheet of 60/40 mirror glass please handle it with care.

To avoid a risk of damage or injury please follow this instruction manual and use caution when transporting, un-packing, cleaning, assembling or dis-assembling this part of the product.

Warranty



Standard Warranty

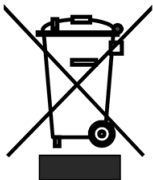
- Datavideo equipment are guaranteed against any manufacturing defects for one year from the date of purchase.
- The original purchase invoice or other documentary evidence should be supplied at the time of any request for repair under warranty.
- The product warranty period begins on the purchase date. If the purchase date is unknown, the product warranty period begins on the thirtieth day after shipment from a Datavideo office.
- All non-Datavideo manufactured products (product without Datavideo logo) have only one year warranty from the date of purchase.
- Damage caused by accident, misuse, unauthorized repairs, sand, grit or water is not covered under warranty.
- Viruses and malware infections on the computer systems are not covered under warranty.
- Any errors that are caused by unauthorized third-party software installations, which are not required by our computer systems, are not covered under warranty.

- All mail or transportation costs including insurance are at the expense of the owner.
- All other claims of any nature are not covered.
- All accessories including headphones, cables, and batteries are not covered under warranty.
- Warranty only valid in the country or region of purchase.
- Your statutory rights are not affected.

Register for 3 year Warranty

- All Datavideo products purchased after July 1st, 2017 are qualified for a free two years extension to the standard warranty, providing the product is registered with Datavideo within 30 days of purchase.
- Certain parts with limited lifetime expectancy such as LCD panels, DVD drives, Hard Drive, Solid State Drive, SD Card, USB Thumb Drive, Lighting, Camera module, PCIe Card are covered for 1 year.
- The three-year warranty must be registered on Datavideo's official website or with your local Datavideo office or one of its authorized distributors within 30 days of purchase.

Disposal



For EU Customers only - WEEE Marking

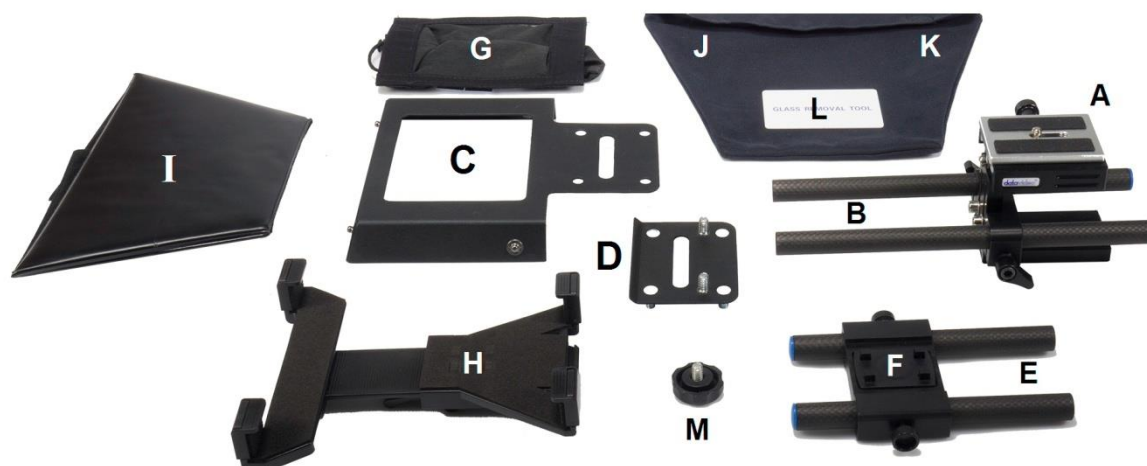
This symbol on the product or on its packaging indicates that this product must not be disposed of with your other household waste. Instead, it is your responsibility to dispose of your waste equipment by handing it over to a designated collection point for the recycling of waste electrical and electronic equipment. The separate collection and recycling of your waste equipment at the time of disposal will help to conserve natural resources and ensure that it is recycled in a manner that protects human health and the environment. For more information about where you can drop off your waste equipment for recycling, please contact your local city office, your household waste disposal service or the shop where you purchased the product.



CE Marking is the symbol as shown on the left of this page. The letters "CE" are the abbreviation of French phrase "Conformité Européene" which literally means "European Conformity". The term initially used was "EC Mark" and it was officially replaced by "CE Marking" in the Directive 93/68/EEC in 1993.

"CE Marking" is now used in all EU official documents.

Packing List



Item	Description	Quantity
A	Adjustable Camera Plate	1
B	15mm Carbon fibre rod Length 230mm	2
C	Hood Frame with square hole and Velcro straps for item G. Hood Frame also has press studs for item I.	1
D	Screw plate for securing items B, C, D and E together.	1
E	15mm Carbon fibre rod Length 150mm	2
F	Mounting plate with hooks for adjustable tablet holder item H	1
G	Lens snood with pull cord and Velcro straps for item C	1
H	Adjustable tablet holder	1
I	Folding hood with press studs and velcro strap for item J	1
J	Velcro edged 60/40 Mirror glass with green and red stickers	1
K	Micro fibre cloth pouch to hold items J & L when packed.	1
L	Plastic card glass removal tool	1
M	Spare screw to secure the hook plate to item F	1
O	Hex tool for screws in item A	1
plus	Retail carton with protective foam packing	1

NOTE: Depending on your order, your TP-500 kit could have been supplied with one of a range of wired or Bluetooth remote controls – for more information on the remote controls please speak with your local Datavideo supplier or check our website www.datavideo.info for details.

NOTE: The foam packing within this products retail carton has been designed so that it can be easily transferred to an **optional** hard case, called **HC-500**, for this kit. See page 18 for more information.

Please speak with your supplier if you wish to purchase an optional remote control or hard case for your prompter kit.



Shown with Canon EOS 550D

Product Overview

Why struggle with expensive re-takes, on stage talent drifting off script or a presenters' loss of eye contact with the viewing audience? This Datavideo Prompter Kit is designed to help you overcome these problems by converting a tablet computer (*not supplied*) into a low cost and effective prompter.

The Datavideo Prompter Kit, TP-500, can be used in either a theatre setting, or a video studio. Prepared scripts or cue sheets can be easily copied and pasted into the DV prompter app software from email and scrolled at a set automatic rate or controlled by a user with the optional wired / wireless remote for a more natural result. A number of clear fonts, colours and text sizes are available making reading comfortable from a variety of distances.

That's Datavideo, sharing the value !

Features

- Simple software and remote allow users to produce professional results at low cost.
- Special 60/40 Glass allows the presenter to read the script and the camera to see the subject.
- Strong and rigid prompter frame fixes securely to any standard tripod quick release plate.
- The prompter frame is designed to allow in front of camera lens prompting.
- The black camera snood/hood is adjustable to adapt for a wide variety of cameras.
- Quick and simple assembly that requires no special tooling.
- Expandable mounting bracket system allows simple but secure installation of tablet.
- An **optional** remote control is available.

Assembly – TP-500



1. Attach/screw the tripod's own quick release plate to the screw holes on the base of the TP-500 adjustable Camera plate, **Item A**.

Tip: Add a second screw (not supplied) through the tripod's quick release plate. This to stop **Item A** from being able to spin on top of the tripod quick release plate.



2. Now slide and secure the tripod plate, with **Item A** on top, onto the head of the tripod or dolly.

3. Remove the sliding camera plate from the top of **Item A**. Do this by pressing in the side screw on **Item A** once it has been unscrewed half way.



4. Attach the camera plate from **Item A** to the base of the DSLR camera. Now slide the camera and plate into position on top of **Item A**.



5. Now slide the camera and plate back into position on top of **Item A**.



- There are four adhesive Velcro straps packed inside the kit. Peel off the white paper backing before applying these straps to the Hood Frame, **item C**.

Apply the two long Velcro strips to the Inside edges on the Left side and Right side of the hole for the lens. Then apply the two smaller Velcro strips to the top and bottom sides of the lens hole.



- Screw **rod items E** to **plate item D**. Rod Items E screw to the front side of the plate D, this side only has two screw threads.

The bent edge of plate item D is the top edge.

The rear side of plate item D has four screw threads.



- Marry **item C**, the Hood frame, to plate **item D** using the four holes in item C and the four screw threads on item D.
- Secure item C to D** by screwing **rod items B** on to the upper two screw threads for a normal DSLR configuration.

NB: If the DSLR camera is fitted with a battery pack under it, then rod items B are screwed to the lower two threads instead.



10. Marry or slide the blue ends of **rod items B** in to the **rod clamps on item A**. Slide the rods in until the camera lens is about 1 or 2 centimetres away from the hole in the hood frame, **item C**.



11. Now clamp the rods in place.

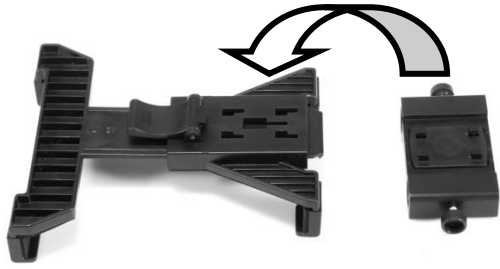


12. Now add the cloth lens snood, **Item G**, by marrying the velcro straps on the snood to the Velcro straps on the Hood frame, **Item C**. The cloth tube of the Lens Snood, **Item G**, should surround the lens.

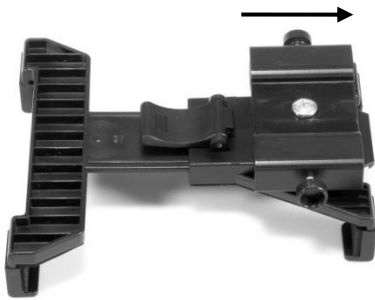
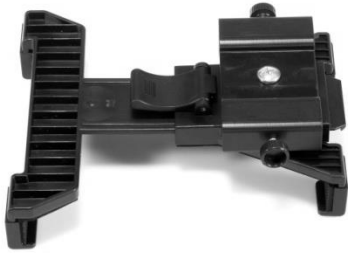


13. The snood pull cord and toggle can then be used to tighten the snood around the lens to shut out light from the camera side.

Be careful not to change the lens settings from the desired shot.



14. Marry the bottom of the adjustable tablet holder, **Item H**, to the four hooks in the top of **Item F**.



15. Then slide **item F** until it clicks into its secured position on the bottom of **item H**.



16. Now slide **items F and H**, the right way up, into place on the shorter **rod items E**.



17. Secure the folding hood, **item I**, using the press studs on the hood and frame.



18. Now insert the Mirror glass, **Item J**. There are Velcro edges to the glass, marry these edges to the Velcro on **Items C (bottom)** and **I (top)** so it is secure. The shortest edge of the Mirror glass should be at the bottom.

NOTE: The glass has a **red** and a **green circle sticker** in one corner. The glass should be fitted with the **green circle towards the subject** and the **red circle towards the camera lens**.



19. Turn on the tablet or mobile device being used, Install and launch the **DV Prompter** software, See separate DV Prompter manual and prepare the prompting text to be used.

20. Now set up the DV Prompter app for the chosen optional remote control type.



21. Put the configured tablet into the mounting bracket and ensure it is held securely by adjusting the size of the bracket holders for a snug fit and locking them in place. Use the locking lever on the bottom of **item H**.

22. Adjust the prompting settings where necessary.
 23. Adjust the camera exposure settings as necessary. See **Camera Exposure** below.
 24. Read the separate manual regarding your optional remote control or the [Optional Bluetooth Teleprompter Remote Control](#) section in this manual.

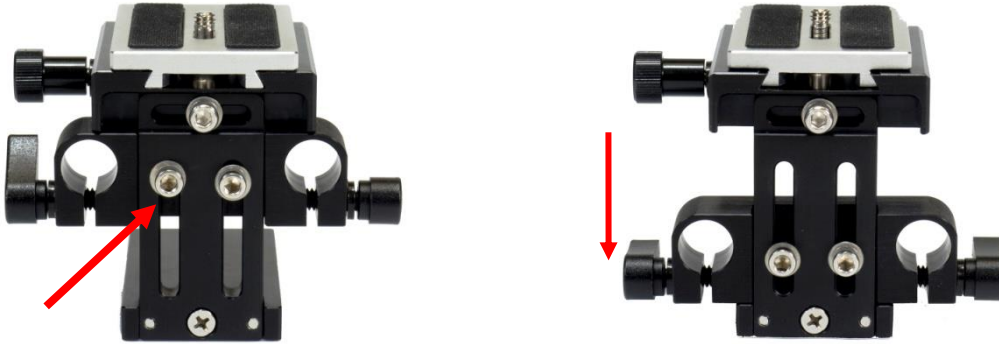
Camera Exposure and the 60/40 Glass

After setting up the camera with the 60/40 glass in front of the lens adjust the camera set up and white balance. This is because the 60/40 Glass affects the camera exposure by approximately 1 stop almost like the effect of a neutral density filter. Consult your camera manual for further help and advice with its exposure and white balance settings.

Adjustable camera platform

The adjustable camera platform has three hex head screws on its rear for reconfiguring the camera position in a number of ways. The Hex tool, item O, is provided for this purpose.

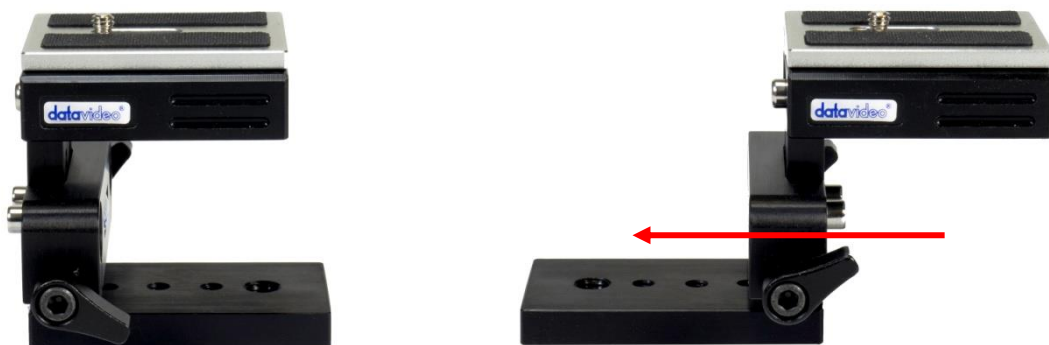
The two lower hex head screws can be used to adjust the height of the TP-500 rails in relation to the DSLR camera or lens.



The top centre hex screw can be used to adjust the DSLR camera platform left or right.

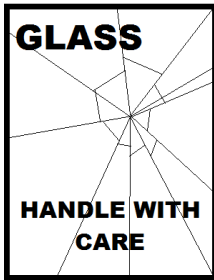


The top centre hex screw can also be removed and the camera platform relocated to the opposite side of the spine. This can be useful when using slightly longer lenses on the DSLR camera.



Note: Leave the thumb screws loose when the 15mm rails are not fitted to the camera platform.

Cleaning the 60/40 Glass



This product contains a sheet of 60/40 glass please handle it with care.

To avoid a risk of damage or injury please follow this instruction manual and use caution when transporting, un-packing, cleaning, assembling or dis-assembling this part of the product.

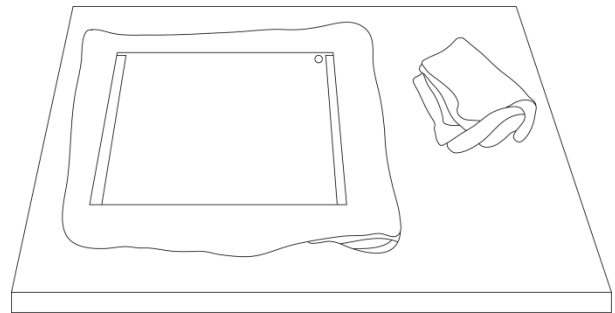
Datavideo recommend cleaning the glass regularly to remove dust and finger print marks. This will ensure the best image quality is recorded when the camera is looking through the glass.

Never attempt to clean the glass whilst it is mounted in the prompter instead remove it carefully from the prompter, clean the glass and then re-install it into the prompter frame. Handle the glass carefully using the cloth covered edges of the glass at all times.

To retain the required qualities of the glass and to avoid scratching the glass during cleaning.

- ***Never use*** abrasive cloths, pads or abrasive based cleaning fluids on the glass.
- ***Never use*** cleaning fluids based on an acid or vinegar solution.

Place the glass on a soft, stable, dirt and lint free work surface such as a table with a clean cloth already laid out on it. Then use a second clean, lint free, soft cloth to clean the glass.



Do not apply cleaning fluids to the glass directly, instead apply or spray a small amount of the cleaning fluid onto the cloth. Proceed to clean the glass and work in a light circular motion with the cloth. Ensure all finger marks and streaks are gone before turning the glass over and repeating with the other side.

Once finished re-install the glass back into the prompter hood, again using the cloth covered edges only. ***Ensure the green circle sticker on the glass is facing you*** and the red circle sticker is facing the camera lens. Reseat/secure the camera hood if necessary.

Free app download from the App Store™

Ensure your tablet has internet access via your cellular service provider or a secure wireless connection.

Tap the **App Store™ icon** on the device Home Screen



to download apps wherever you are.

Browse the section of the store that features apps designed specifically for these devices or tap on the **Search bar**

at the top/bottom of the screen and type in **Datavideo** or **DV Prompter**. Then execute the search by tapping on the Search icon to the right. You will see this software as a result listed, simply tap on the **Free** icon and then **Install**.

The App Store icon on your device will show you when



an update is available for any app that you already have. Install the updates with a tap, and you'll always have the latest version of your favourite apps like **DV Prompter**.

Free Android App download from Google play™

Ensure your tablet has internet access via your cellular service provider or a secure wireless connection.



Tap on the **Google play™ icon** on the device Home Screen to see the latest or popular App downloads. Browse for **Apps** or tap on the magnifying glass icon to show the **Search bar**.

When searching type in **DV Prompter** then execute the search by tapping on the search icon again. You will see our app as a result listed, simply tap on **DV Prompter** and choose **install**.

Android and Google play are trademarks of Google Inc.

Optional remote control manual

See the following section, [Optional Bluetooth Teleprompter Remote Control](#), which covers how to use the remote control. There is also a separate manual supplied with the remote control and can also be downloaded as a PDF document from your local Datavideo office website.

Optional Bluetooth Teleprompter Remote Control

This **WR-500** remote control is designed to be used with Datavideo's teleprompter products, **DV Prompter** and **DVP-100**.

DV Prompter app is a FREE download from the Apple app store for iOS devices and also from Google Play for Android devices. **DVP-100** is a synchronised, multi tablet / camera, teleprompting product.

A separate manual is provided for DVP-100 and the DV Prompter app. For further details please visit our website www.datavideo.com

Remote starts in Wired Mode

When first removed from the retail package the WR-500 remote is already in **wired mode**. When a button is pressed a **RED LED** will flash. The WR-500 can be switched to Bluetooth mode if required.

In wired mode, the remote needs to be physically cabled to the tablet it is controlling. A four pole jack to jack plug cable is provided with this remote.

One end of the cable fits into the tablet's headset socket. The other end plugs into the jack socket on the WR-500 remote.



NOTE: When using this remote in wired mode the **DV Prompter app** should also be set to **Wired – WR-500** in the **Remote menu option**.

Bluetooth Mode – Pairing to your tablet device

Switch the **Bluetooth** function **ON** within the **tablet device settings**.

Open the DV Prompter app on the same tablet device and choose **Bluetooth – WR-500** in the **Remote Control menu**.

Select and start the required script within the DV Prompter app.

To switch the remote into Bluetooth pairing mode press and hold the centre Play / Pause button for 3 to 4 seconds.

The **GREEN LED** will now blink on / off repeatedly to indicate it is ready to pair with a Bluetooth device.



Once paired a Bluetooth icon will be shown in the top right hand corner of the main app screen and bottom right corner of the script.



for the iPhone and iPod Touch. The

Note: The remote will sleep after 5 minutes of inactivity to save battery life. Press the play / pause button to wake the remote and it will automatically try to re-pair with the tablet previously used.

RESET – Return the Remote to Wired Mode

To return the WR-500 remote to wired mode from Bluetooth mode simply **press and hold the Play / Pause button until the GREEN LED stops flashing** and becomes a steady GREEN light.

When a **RED** LED is shown on button presses the remote is in wired mode.

Control Buttons

Button	Whilst scrolling text	Whilst text paused
+	Speed up text scroll	Next Break Marker
—	Slow down text scroll	Previous Break Marker
▶	Pause text	Play text
◀◀	Reduce font size	Load previous script
▶▶	Increase font size	Load next script

LED Indicators

RED LED	Wired Mode
GREEN LED	Bluetooth 4

Remote Accessories

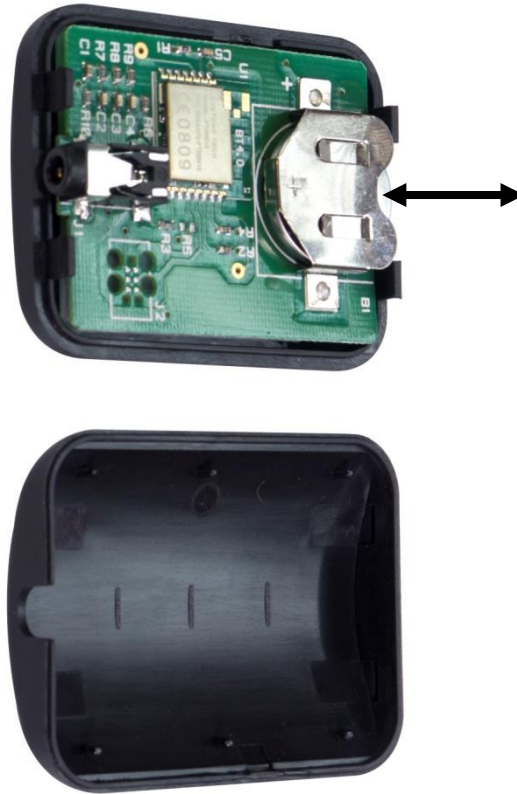
Lanyard Necklace



Plug the lanyard necklace into the jack plug socket.

CR2032 Battery

A **CR2032 button battery** is installed inside this remote. The original battery supplied (when new) is expected to last for 3 years under average / normal use.



This button battery can be replaced by the user when it dies. **Please remove the back case cover carefully** to avoid user damage to the PCB or case. Then slide the old battery out.

Please ensure the new button battery is installed with the positive (+) side of the cell facing the (+) sign on the PCB battery slot.

Optional HC-500 Hard Case

The foam packaging of the TP-500 kit has been designed so that customers who buy the optional hard case can simply lift the foam out from the retail carton and insert it directly into the optional HC-500 hard case.



As standard, the HC-500 hard case is supplied with the usual diced, pick & pluck foam so these cases can also be used as optional carrying cases for a variety of equipment – not just the TP-500 kit.

HC-500 Features

- Press & pull latches
- Secure impact resistant hinges with integrated feet
- Case can stand upright and level on hinge spine
- Solid core handle is both comfortable and durable
- Shock proof, vibration proof, dust proof and rust proof
- Low temperature (-25C / -13F) resistance tested
- Sealable for moisture protection
- Pressure release valve
- Stackable

Please speak with your supplier or dealer if you wish to purchase an optional HC-500 hard case.

HC-500 specifications

Dimensions : External	H 275mm x W 330mm x D 120mm
Dimensions : Internal base	H 215mm x W 295mm x D 75mm without foam
Dimensions : Internal lid	H 215mm x W 295mm x D 20mm without foam
Weight :	1.68 Kg (3.70 lbs) with pick and pluck foam only
Weight :	3.06 Kg (6.75 lbs) Including TP-500 kit and foam

Specifications

Prompter Size**Width:** 270 mm (10.62 inches)**Height:** 210 mm (8.27 inches)**Depth:** 460 mm (18.11 inches)**Expandable Mounting Bracket****Sizes:** 110 mm (Minimum tablet width)

210 mm (Maximum tablet width)

Nett Weight:**Kit:** 1.5 Kg (3.3 lbs)**Packed weight: (Gross)****Kit:** 1.75 Kg (3.84 lbs)

NOTE

NOTE

NOTE

Service & Support

It is our goal to make owning and using Datavideo products a satisfying experience. Our support staff is available to assist you to set up and operate your system. Contact your local office for specific support requests. Plus, please visit www.datavideo.com to access our FAQ section.

China Shanghai
Datavideo Technologies China Co
601, Building 10, No. 1228,
Rd. Jiangchang,
Jingan District, Shanghai
Tel: +86 21-5603 6599
Fax: +86 21-5603 6770
E-mail: service@datavideo.cn

China Beijing
Datavideo Technologies China Co
No. 812, Building B, Wankai Center,
No. 316, Wan Feng Road, Fengtai District,
Beijing, China
Tel: +86 10-8586 9034
Fax: +86 10-8586 9074
E-mail: service@datavideo.cn

China Chengdu
Datavideo Technologies China Co
B-823, Meinian square, No. 1388,
Middle of Tianfu Avenue, Gaoxin District,
Chengdu, Sichuan
Tel: +86 28-8613 7786
Fax: +86 28-8513 6486
E-mail: service@datavideo.cn

China Fuzhou
Datavideo Technologies China Co
A1-2318-19 Room, No. 8, Aojiang Road,
Taijiang District, Fuzhou, Fujian, China
Tel: 0591-83211756 · 0591-83210187
Fax: 0591-83211262
E-mail: service@datavideo.cn

China Jinan
Datavideo Technologies China Co
902, No. 1 business building,
Xiangtai Square, No. 129,
Yingxiongshan Road, Shizhong District,
Jinan City, Shandong Province, China
Tel: +86 531-8607 8813
E-mail: service@datavideo.cn

Hong Kong
Datavideo Hong Kong Ltd
G/F., 26 Cross Lane
Wanchai, Hong Kong
Tel: +852-2833-1981
Fax: +852-2833-9916
E-mail: info@datavideo.com.hk

India Noida
Datavideo India Noida
A-132, Sec-63, Noida-201307,
India
Tel: +91-0120-2427337
Fax: +91-0120-2427338
E-mail: sales@datavideo.in

India Kochi
Datavideo India Kochi
2nd Floor- North Wing, Govardhan Building,
Opp. NCC Group Headquarters, Chittoor Road,
Cochin- 682035
Tel: +91 4844-025336
Fax: +91 4844-047696
E-mail: sales@datavideo.in

Netherlands
Datavideo Technologies Europe BV
Floridadreef 106
3565 AM Utrecht,
The Netherlands
Tel: +31-30-261-96-56
Fax: +31-30-261-96-57
E-mail: info@datavideo.nl

Singapore
Datavideo Visual Technology(S) Pte Ltd
No. 178 Paya Lebar Road #06-07
Singapore 409030
Tel: +65-6749 6866
Fax: +65-6749 3266
E-mail: info@datavideovirtualset.com

Singapore
Datavideo Technologies (S) PTE Ltd
No. 178 Paya Lebar Road #06-03
Singapore 409030
Tel: +65-6749 6866
Fax: +65-6749 3266
E-mail: sales@datavideo.sg

Taiwan
Datavideo Technologies Co. Ltd
10F. No. 176, Jian 1st Rd., Chung Ho
District, New Taipei City 235, Taiwan
Tel: +886-2-8227-2888
Fax: +886-2-8227-2777
E-mail: service@datavideo.com.tw

United States
Datavideo Corporation
7048 Elmer Avenue.
Whittier, CA 90602,
U. S. A.
Tel: +1-562-696 2324
Fax: +1-562-698 6930
E-mail: sales@datavideo.com

France
Datavideo France s.a.r.l.
Cité Descartes 1, rue Albert Einstein
Champs sur Marne 774477 –
Marne la Vallée cedex 2
Tel: +33-1-60370246
Fax: +33-1-60376732
E-mail: info@datavideo.fr



Please visit our website for latest manual update.

www.datavideo.com/product/TP-500

datavideo
www.datavideo.com